

!!!WARNING!!!

READ AND UNDERSTAND ALL INSTRUCTIONS INCLUDED WITH THIS REPAIR KIT
RELIEVE ALL PRESSURE FROM SYSTEM BEFORE REMOVING VALVE FOR SERVICE

NOTE: Numbers in brackets [] refer to the number in the valve component list. Numbers in parenthesis () refer to quantities of the valve component.

A. Disassembly

1. **EVACUATE ALL PRESSURE FROM SYSTEM BEFORE ANY DISASSEMBLY OR REPAIR.**
2. Remove (2) Mounting Screws [3], and Cover Plate [4] from Body [1] and retain. If Packing Washers are present remove and discard.
3. Remove Packing Gland Assembly [2] and discard.
4. Inspect Valve Body [1] and clean if necessary, be sure interior is free of dirt, residue and foreign particles.

B. Reassembly

1. Install Gland Assembly [2] into Body [1].
2. Apply Loctite #271 to threaded holes in Body [1]. Install (2) Mounting Screws [3] through Cover Plate [4] and into Body [1].
3. Connect the valve assembly outlet to a pressure source of at least 150 PSI. Check for leaks at all joints and stem seals using a suitable leak detector solution such as "Marshall Excelsior" leak detector.

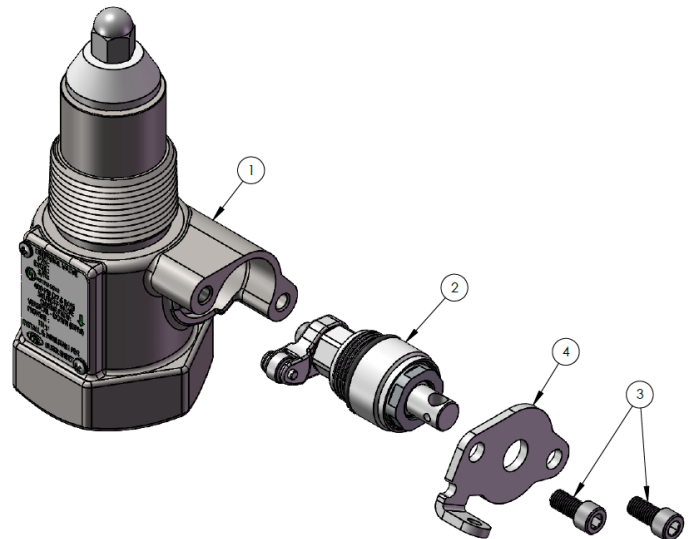
CAUTION: DO NOT USE THE VALVE IF ANY JOINT CONTINUES TO LEAK UNDER PRESSURE.

C. Component List

1. Body
2. Gland Assembly
3. Mounting Screw; Qty: 2
4. Cover Plate



WARNING: These products contain a chemical known to the state of California to cause cancer and birth defects or reproductive harm



Marshall Excelsior Company

1506 George Brown Drive Marshall, MI 49068
Phone (269) 789-6700 Fax (269) 781-8340
www.marshallexcelsior.com

The contents of this publication are for informational purposes only. While every effort has been made to ensure accuracy, these contents are not to be construed as warranties or guarantees, expressed or implied, regarding the products or services described herein or for their use or applicability. Marshall Excelsior Co. reserves the right to modify or improve the designs or specifications of such products at any time without notice. The MEC™ logo is the trademark of Marshall Excelsior Co.