

THIS IS WHAT **INNOVATION** LOOKS LIKE



INCREASED DELIVERY EFFICIENCY AND SAFETY





OPERATION OVERVIEW
VIDEO

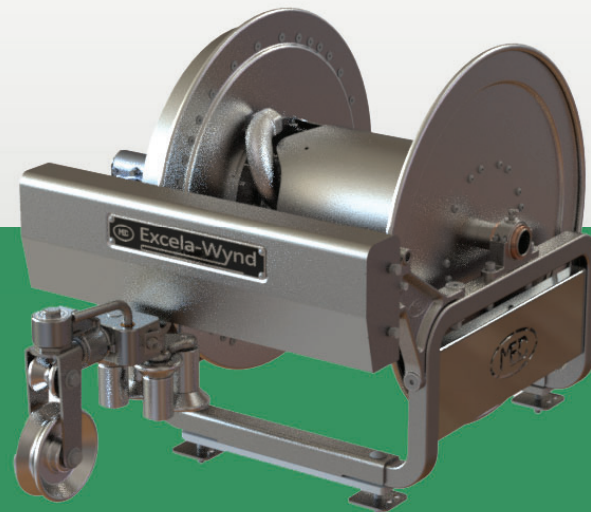


MEC never rests when it comes to new product development. The entire MEC team has undertaken our largest new product development project to date, with over two years of design, evaluation, testing and facilitation of field trials in locations across the United States. All of these efforts have culminated in the final state-of-the-art production design for the **ME9000 Series *Excelsa-Wynd™* Hose Reel**.

With the support and feedback from marketers, drivers, service technicians, distributors and truck builders, we have developed a product that will define a new industry standard in driver safety, operational efficiency, durability and serviceability.

By taking a premium design approach and offering the ***Excelsa-Wynd™*** hose reel through our stocking distributors, we can offer a streamlined process that includes all the options in one SKU, available off the shelf without custom orders and ready to ship when you need it.

- Reduces downtime, comp claim injuries & driver fatigue
- Auto-wind hose return system
- Variable Speed Controller - maintains consistent walking speed
- Adjustable speed to suit driver preference or seasonal conditions
- Auto-push feature takes the starting hose pull effort off the driver
- Premium construction & materials for increased service life
- Gimbal roller assembly significantly reduces pulling effort
- Internal gear drive eliminates chain
- Designed for minimal maintenance & ease of serviceability
- Integrated design makes your truck look great!



ME9000LH-17/25

Excelsa-Wynd™ Hose Reel with LH Type "D" **Excelsa-Flange™** Inlet

- 17" W x 25" dia. spool
- Holds up to 150' - 1" hose

“ Saves you time, a lot of time. You pick up extra stops on your routes. I get this thing going and I'm running to the tank! ”

Ryan Schillmiller, Premier Energy LP Service Representative



A LOOK INSIDE

FEATURES AND BENEFITS

1 MOTOR & JUNCTION BOX ASSEMBLY

1A MOTOR

- Explosion Proof; 500 RPM
- 2/3 HP
- Stainless steel shaft

1B EXPLOSION PROOF JUNCTION BOX

- QPS Certified

1C JUNCTION BOX WIRE SEAL BOOT

1D MEC HIGH CAPACITY WIRING CHAMBER

- 50% more volume

2 FORMED STAINLESS TUBE FRAME

2A MOTOR GEAR MESH ADJUSTMENT

2B SPRING LOADED MOTOR MOUNT

- Allows easy motor installation and replacement

3 QUICK ACCESS GEAR GUARD

4 INTERNAL GEAR DRIVE SYSTEM

- Replaces traditional chain drive

5 QUICK CHANGE GEAR SEGMENTS

6 AUTO-WIND CARRIAGE SYSTEM

- Heavy duty stainless construction
- Self-lubricated slider bearing

7 180° GIMBAL MOUNT SWIVEL SYSTEM

- Features quick deploy guide arm
- Significantly reduces pulling effort

7A INBOARD GUIDE ROLLER SET

- Ensures smooth hose management

8 EASY HANG GOOSENECK HOSE MOUNT

9 EASY SERVICE MAIN SPOOL SPLIT BEARINGS

9A MAIN SPOOL BEARING GREASE ZERKS

10 FRAME MOUNT DECK ISOLATION PADS

10A MOUNTING HARDWARE / BACKING PLATES

- Heavy duty stainless steel

11 EXCELA-FLANGE™ HOSE REEL INLET MOUNT

- Type “D” flange type

12 EXCELA-FLANGE™ SWIVEL (ME854SSH-4B-4B)

- Heavy duty; 90 degree 4-bolt flange (2)
- Stainless construction
- MEH225SS 1/4” hydrostatic relief included

13 EASY ACCESS WEATHER SHIELD (OPTIONAL)

- Aluminum construction
- Smooth powder coat or polished diamond plate finish

14 SELF-EJECTING MANUAL CRANK HANDLE

- Provided with convenient storage bag

15 SMART SENSOR TECHNOLOGY

- 30 ft sensor extension cable included

16 EASY ACCESS AUTO-WIND COVER

- Stainless steel

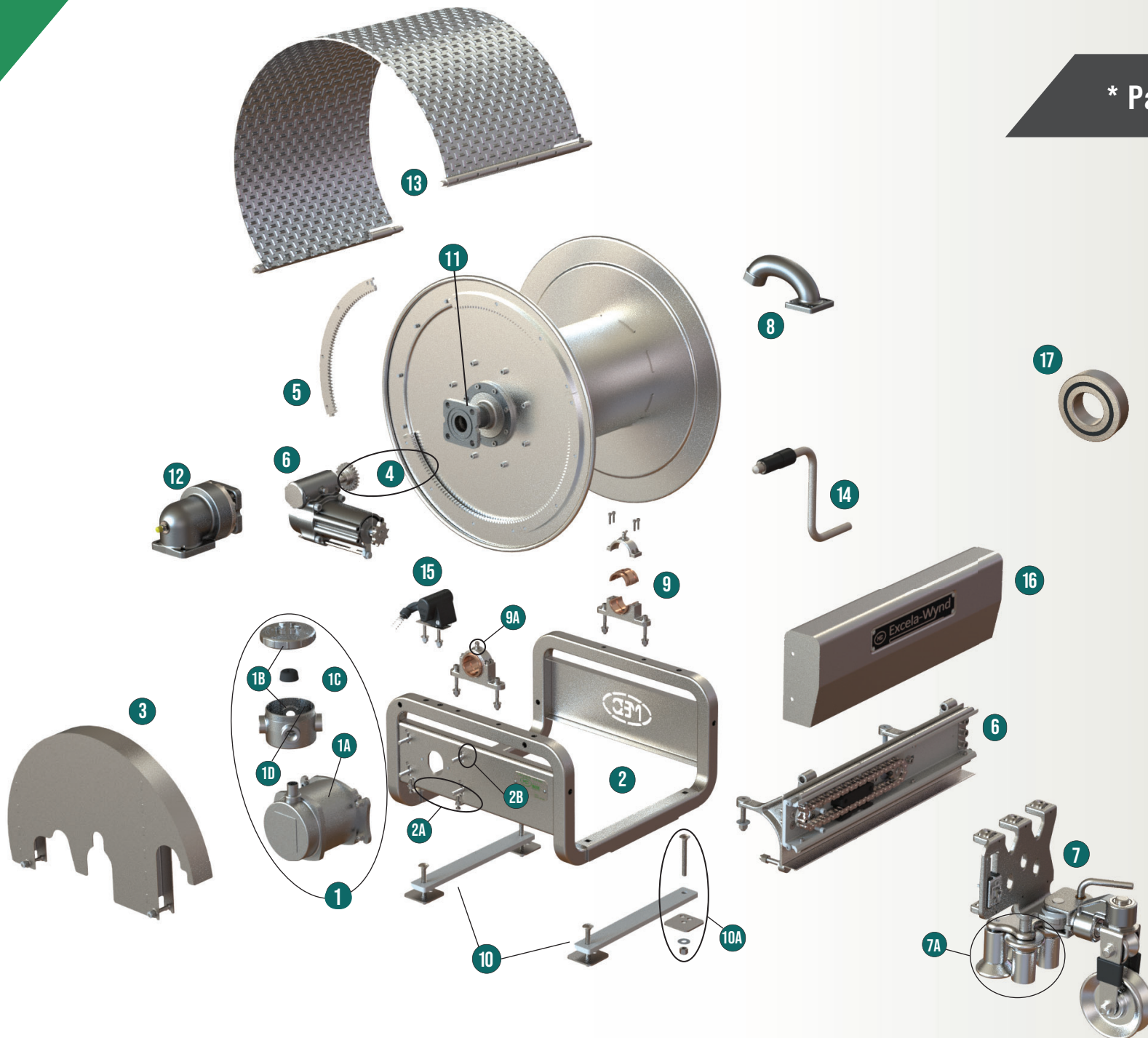
17 SERVICE FREE SEALED STAINLESS BEARINGS

- Qty: 44 throughout hose reel
- Reduces resistance due to friction

* Patents pending



FEATURE OVERVIEW
VIDEO



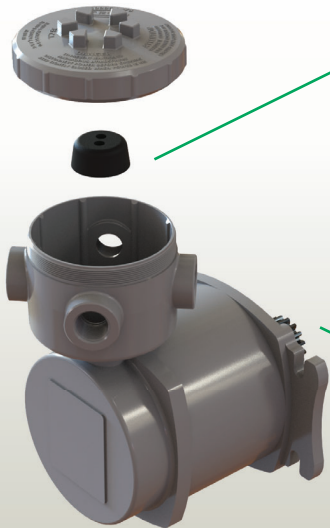
SEE THE REEL DIFFERENCE

✓ MAIN STRUCTURAL FRAME

- ◆ Heavy duty 1-1/2" 304 stainless steel tubing
- ◆ Fully bent tube frame for maximum durability
- ◆ Full deck isolation pads support weight of reel
- ◆ Easy mount motor carriage bolts
- ◆ Motor / drive gear mesh adjustment
- ◆ Better distribution of weight preventing wear and cracking of the deck



✓ MOTOR AND JUNCTION BOX



MEC HIGH CAPACITY JUNCTION BOX

- ◆ QPS Certified - Explosion proof rated
- ◆ Custom MEC design - more space for wiring
- ◆ 50% more capacity
- ◆ Powder-coated
- ◆ Wire seal boot prevents moisture intrusion into motor
- ◆ Four 3/4" FNPT side connections

MOTOR

- ◆ 500 RPM
- ◆ 2/3 hp
- ◆ Powder-coated
- ◆ Explosion proof
- ◆ Easy mount system
- ◆ Easy gear mesh adjustment
- ◆ Stainless steel shaft

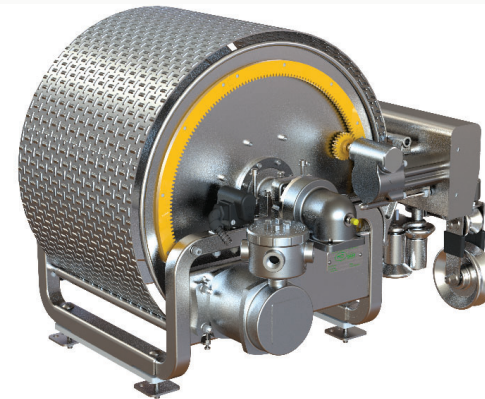
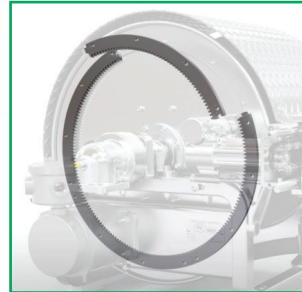




DIRECT DRIVE GEAR SYSTEM

4 gear segments interlock to form the main gear system. The motor gear, gear segments and clutch system transfer motor torque to the auto-wind assembly

- ◆ Eliminates high maintenance chain drive
- ◆ Each segment designed to be removed independent of the other segments. Not required to break the liquid line to replace segments
- ◆ Each of the four segments of the spool gear set-up have an interlocking feature to maintain proper alignment
- ◆ Stainless steel gear segments - no rust
- ◆ Protected by quick access gear guard



GIMBAL ROLLER ASSEMBLY

- ◆ Increased control of hose when pulled out and reeled in
- ◆ Significantly reduces side pull effort
- ◆ 180 degree gimbal movement automatically aligns to driver's pull direction
- ◆ Rugged upper and lower rollers control the hose in both directions
- ◆ Easy latch mechanism allows for quick stowing & deployment of the gimbal assembly
- ◆ Sealed service-free stainless steel bearings reduce overall friction



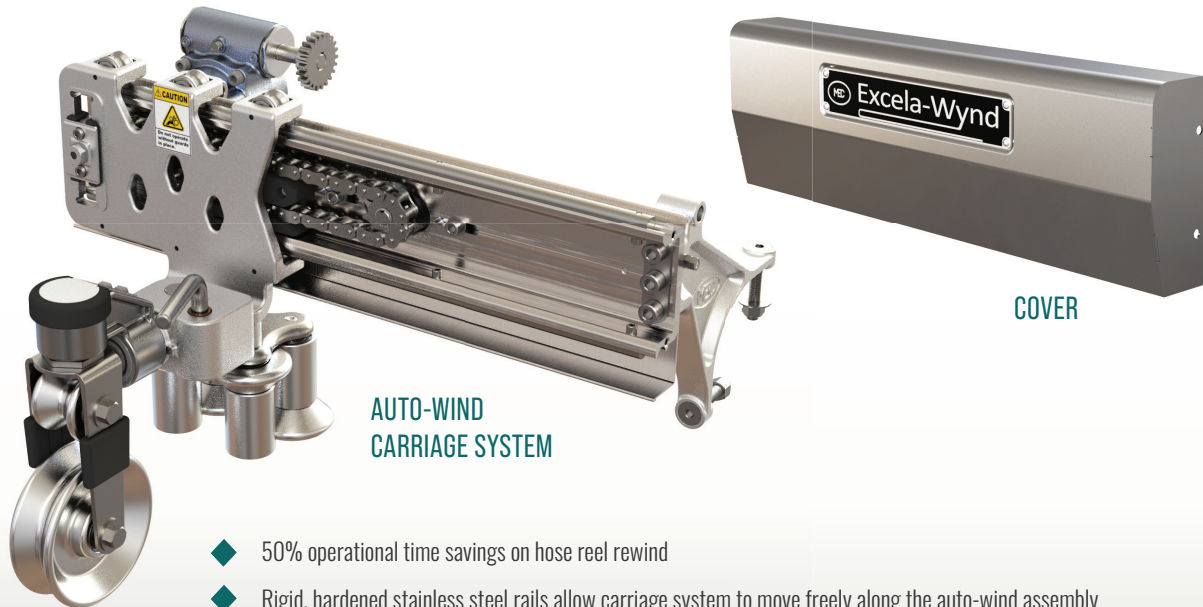
SEE THE REEL INNOVATION



AUTO-WIND CARRIAGE SYSTEM

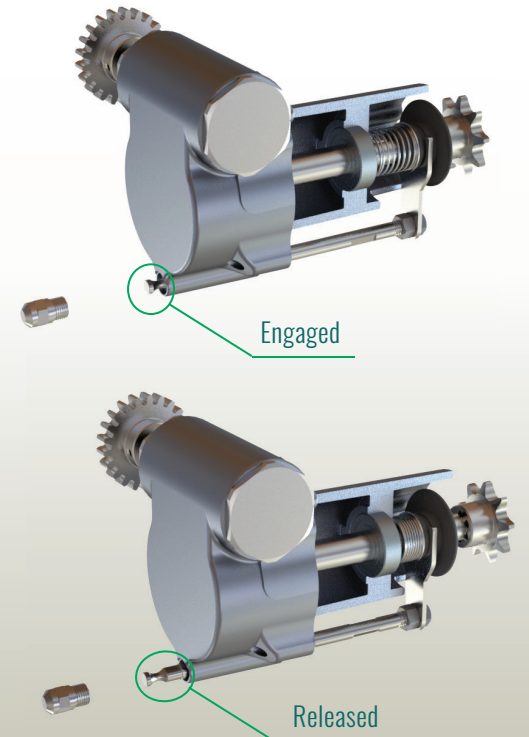
The heavy duty auto-wind carriage system is designed to effortlessly retract the hose while the inboard roller assembly neatly manages the coils onto the hose reel spool.

This integrated auto-wind system reduces injuries while significantly increasing overall operational efficiency by taking the strain and effort off of the driver and letting the hose reel system do the work.



- ◆ 50% operational time savings on hose reel rewind
- ◆ Rigid, hardened stainless steel rails allow carriage system to move freely along the auto-wind assembly
- ◆ Sealed, service-free, stainless steel bearings mounted to the carriage provide smooth guidance along the fixed frame
- ◆ Heavy duty stainless steel chain (Size #50) provides strength to the carriage/linkage and slider assembly
- ◆ Strong self-lubricated slider assembly provides ease of movement for the linkage
- ◆ Clutch mechanism allows for setting the proper timing of the carriage relative to the hose on the spool
- ◆ Removable auto-wind cover allows for easy accessibility & maintenance of any portion of the assembly

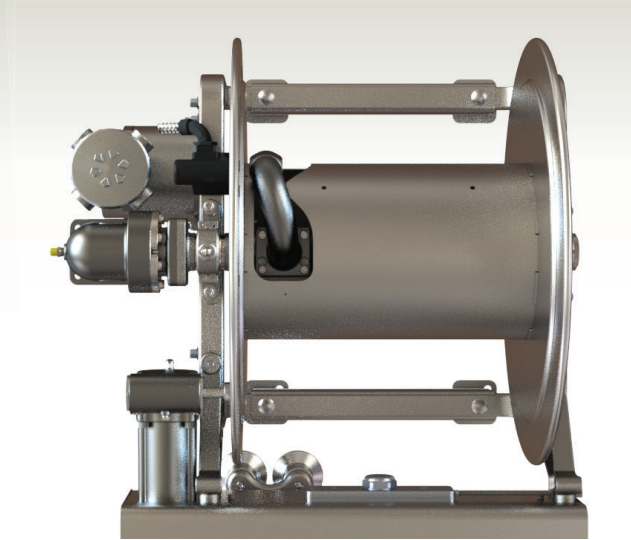
CLUTCH MECHANISM



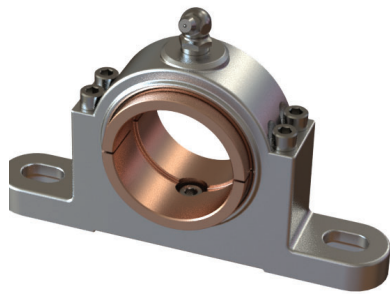


EASY HANG GOOSENECK HOSE MOUNT

- ◆ Custom high flow design for increased efficiency
- ◆ Designed to follow curvature of the hub reducing hose strain
- ◆ Easy-hang 4-bolt design to facilitate quick hose installation
- ◆ Allows hose to be installed off the reel
- ◆ Soft seat gooseneck flange connection design to eliminate joint leaks



MAIN SPOOL SPLIT BEARINGS



- ◆ 4-bolt split bearing design allows easy service and hub removal
- ◆ Increased load carrying capacity with 50% more bearing surface
- ◆ Internal grease groove for increased lubrication efficiency
- ◆ Pre-installed grease zerks provide easy access for routine preventative maintenance



REEL ACCESSORIES

HARDWARE AND ACCESSORY BOX

Conveniently packed with hose reel

- ◆ Self-ejecting manual crank handle with convenient storage bag
- ◆ 30 ft Sensor cable
- ◆ Gooseneck and O-ring
- ◆ Mounting hardware
 - (4) 1/2"-13 x 4" carriage bolts
 - Deck Isolation pads
 - Deck mounting plates - designed with (3) separate mounting locations to accommodate deck design



OPTIONAL WEATHER SHIELD

Two weather shield options available for extra protection and a clean look

- ◆ Protects hose from weather and other environmental elements (UV, sun, ice and storm damage, etc.)
- ◆ Extends hose service life
- ◆ Easy installation and removal - no tools required



**WEATHER SHIELD
INSTALLATION VIDEO**



ME9000WSDA

Diamond Plate Aluminum
Bright Polished Finish



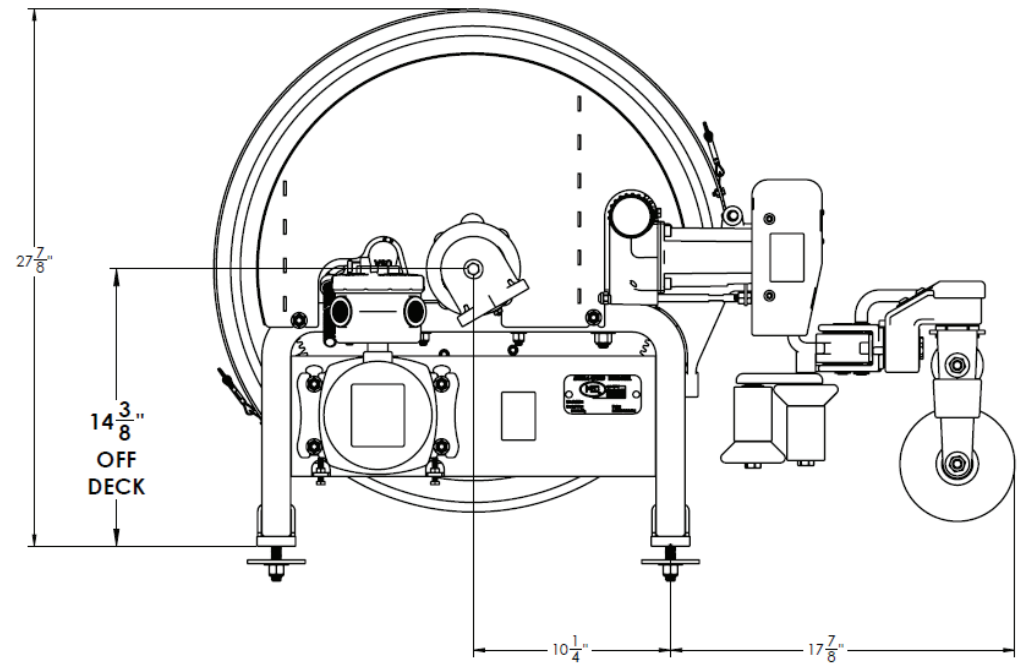
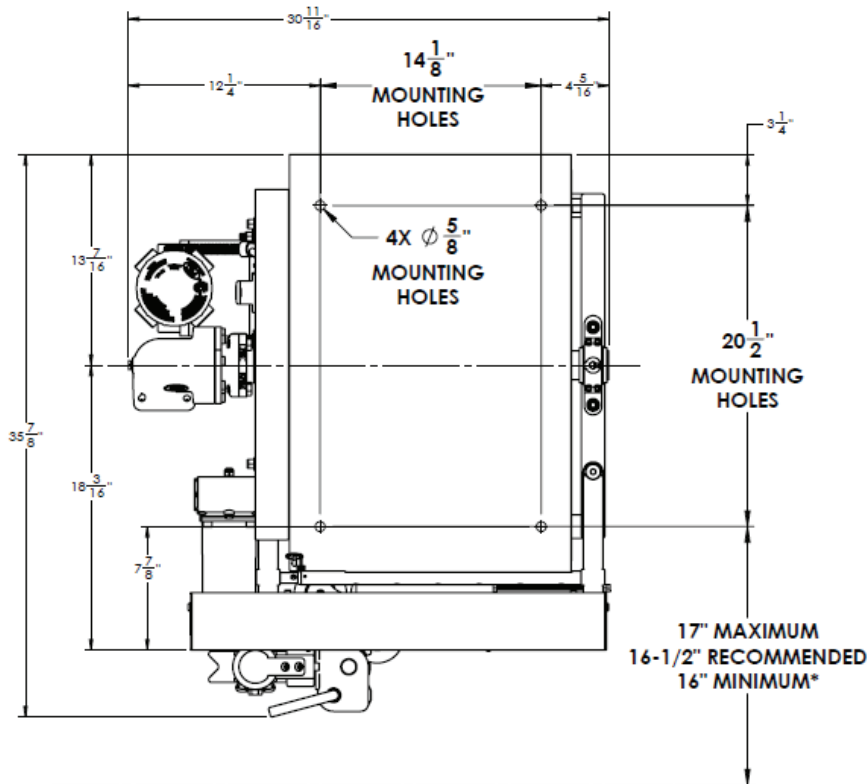
ME9000WSSA

Smooth Aluminum
Silver Powder Coat Finish

REEL DIMENSIONS



DECK POSITION AND MOUNTING SPECIFICATIONS REFERENCE



REAR SURFACE OF BUMPER
(DOT CRASH PROTECTION PLANE)

*FOR COMPLIANCE WITH TITLE 49CFR, SECTION 178.345-8 (D) ACCIDENT
DAMAGE PROTECTION REQUIREMENT (DOT 6" CRASH PROTECTION)

◆ *Excelsa-Wynd* Hose Reel weight - 240 lbs.

AUTOMATED CONTROL



EXCELA-WYND VARIABLE SPEED CONTROL SYSTEM*

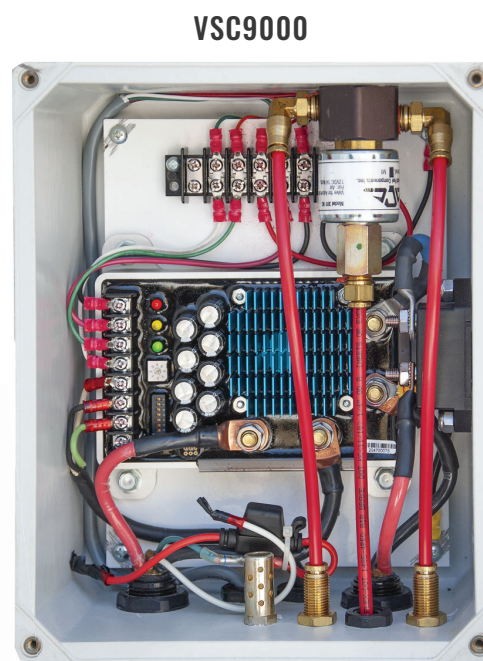
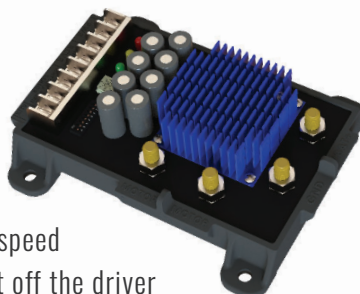
The Variable Speed Control system is designed to work in conjunction with the MEC Smart Sensor technology integrated into the **Excelsa-Wynd™** hose reel and the BASE remote control, all working together to create an automated control system.

Key advantages of this integrated variable speed control are the ability to adjust the retract speed to match the individual driver and weather conditions and maintaining a consistent walking speed, which increases overall driver safety and reduces injury claims. The system also provides for electronic motor brake release and an auto-push feature which takes the starting pull effort off of the driver.

SETTING REWIND SPEED (FACTORY SETTING IS 5)									
POT. SETTING	0	1	2	3	4	5	6	7	
HOSE SPEED (MPH)	1.5	1.8	2.1	2.4	2.6	2.9	3.2	3.5	

USE SCREW DRIVER TO TURN POT. SO ARROW POINTS TO DESIRED SPEED

SELECTABLE HOSE LENGTHS		
100'	125'	150'



VSC9000

* Included with hose reel purchase

- ◆ Soft Start/Stop feature for easy ramp up to control speed
- ◆ Auto-Push feature takes the starting hose pull effort off the driver
- ◆ Adjustable speed control allows system to be set based on driver preference
- ◆ Safety Stop feature cuts drive power if the hose gets caught, preventing damage to the motor and hose while keeping the driver safe
- ◆ Automatic Reset feature reengages drive power function once the hose is free to retract
- ◆ On-board dip switches for selectable hose length, motor reverse & test mode





BASE PC3/ASK REMOTE CONTROL FUNCTIONALITY

Fully integrated with Excelsa-Wynd hose reel and Variable Speed controller. One touch of the reel-out button releases the electronic motor brake and activates the auto-push feature to take the starting hose pull effort off the driver. The reel-in function can be activated by holding the reel-in button, which engages the auto-wind feature. Both remotes sold separately from BASE Engineering, an MEC company.



ProControl3
(PC3)

- ◆ Monitor & control all key system functions from the cab or hose-end including emergency stop, control of pump PTO, engine RPM, hose reel, Accu-Max+ digital dial and smart interlocks available
- ◆ Alpha-numeric keypad captures driver input, such as log-in details
- ◆ Designed to IP67 and Class 1, Div 1, Group "D" water proof and explosion proof standards
- ◆ Built in vibration and audible user feedback and message alerts
- ◆ Recharges in docking cradle with interlock to prevent leaving the remote behind
- ◆ Available accessories:
 - Charging cradle w/ 110V Adapter
 - Adjustable shoulder sling
 - Belt clip lanyard
 - Protective carrying case
- ◆ Specs: Nominal Range: 1000 ft (300m)
Temperature Range: -20°F to 125°F (-29°C to 52°C)
Battery life – Up to 12 hours of continuous transmission



ASK

- ◆ 1-8 button remote options
- ◆ Rugged weather proof aluminum enclosure
- ◆ ATEX/IECEx Explosion-proof
- ◆ Available accessories:
 - Belt clip lanyard
 - Protective Carrying Case
- ◆ Specs: Nominal Range: 1000 ft (300m)
Temperature Range: -20°F to 185°F (-29°C to 85°C)
Battery life – 300 hours of continuous transmission

BASE ENGINEERING INC.
FUEL TRANSFER AUTOMATION

an MEC company

EXCELA-WYND



IOM

Installation and Operating Instructions



ROI CALCULATOR

MEC Excelsior-Wynd
Payback / Savings Calculator



WARRANTY INFO

Three year all inclusive,
no hassle warranty

MARSHALL EXCELSIOR COMPANY www.marshallexcelsior.com | 1506 George Brown Drive Marshall, MI 49068 | 269.789.6700

BASE ENGINEERING www.baseng.com | 600 Rothesay Ave, Saint John, NB E2H 2H1, Canada | 506.635.2280